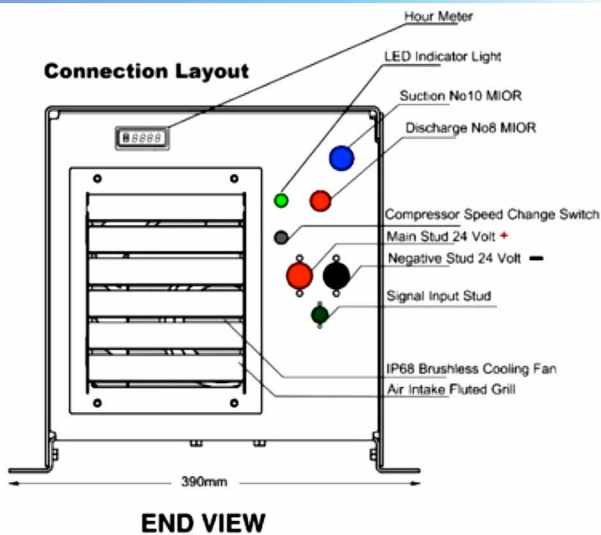


RDK-4

12V & 24V DC Air Conditioning Compressor

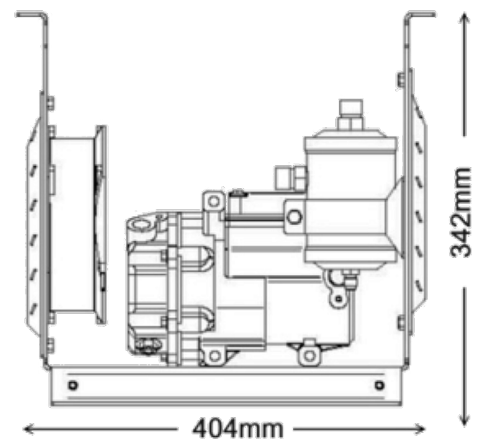
- Use as anti-idle or in conjunction with OEM engine drive system
- Brushless technology
- 12V & 24V applications
- Ideal for mining, military and heavy machine sector
- Suits systems up to 20491 BTU's
- Low Temp Refrigeration
- Suitable for both R134a and R404a

**Full brushless design
with Tuff 3mm
Stainless Steel exterior**



RDK4 - Specifications

- 3mm Stainless Steel fabrication
- Compressor is IP68 rated (Submersible) and able to tolerate 100Hz vibration
- Brushless design 1Kw to 4.2Kw
- Adjustable compressor speed 2000 to 6000 rpm
- Oil separation tank for good oil return to compressor
- Brushless cooling fan IP68 rated (Submersible)
- High temp thermo cut-out
- Built-in BLDC controller to compressor
- Steel Nickel plated fittings
- Electrical safety cut-outs
- Hour meter
- Plug & play design
- Design is debris tolerable



CoolDrive Part No.	Description	Dimensions (mm)	Weight (kg)
CMRDK42	DRK4 12V 18cc DC electric comp in stainless steel enclosure.	405 x 390 x 342	30
CMRDK44	DRK4 24V 24cc DC electric comp in stainless steel enclosure.	405 x 390 x 342	30